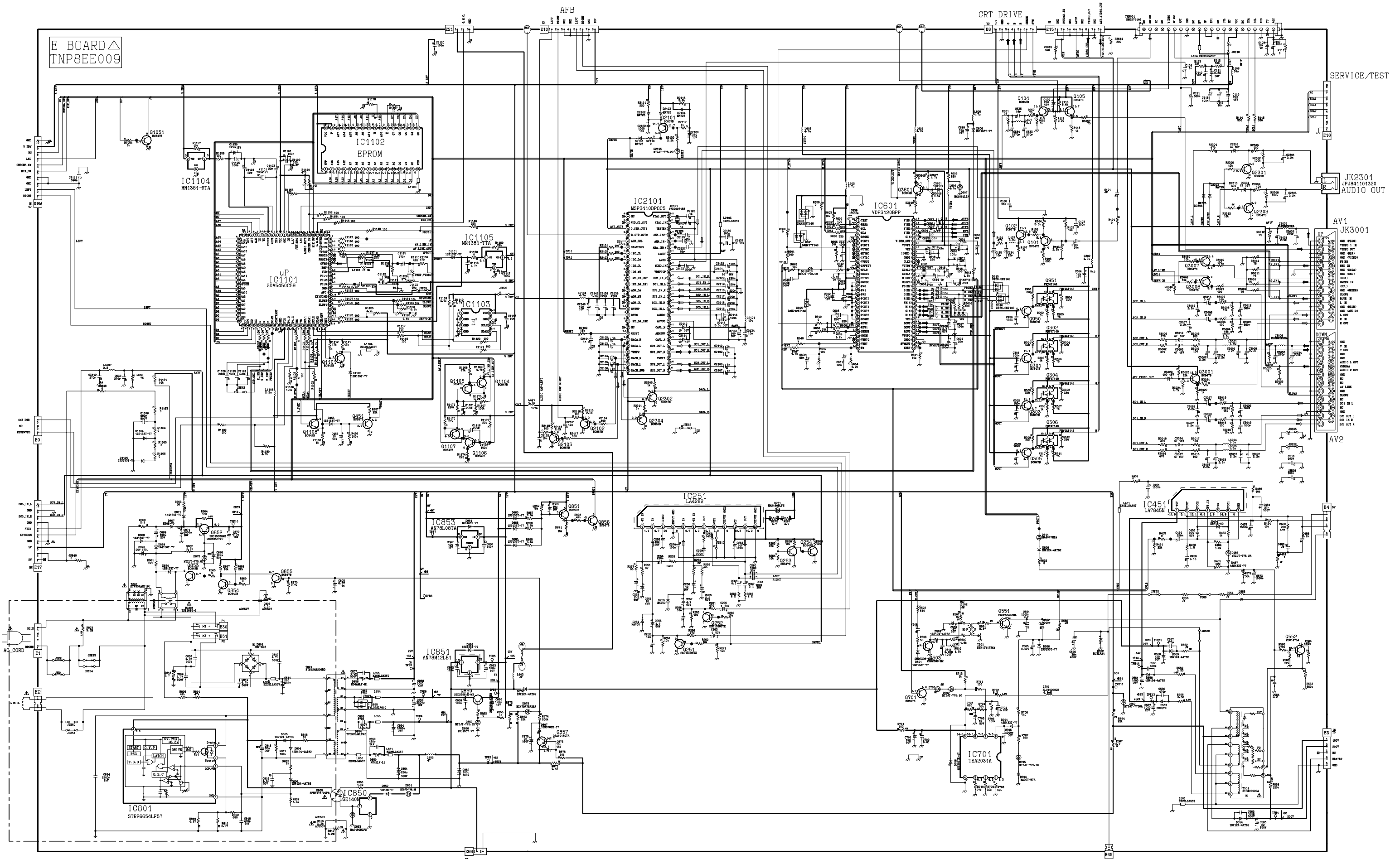


E BOARD  
TNP8EE009



SERVICE/TEST

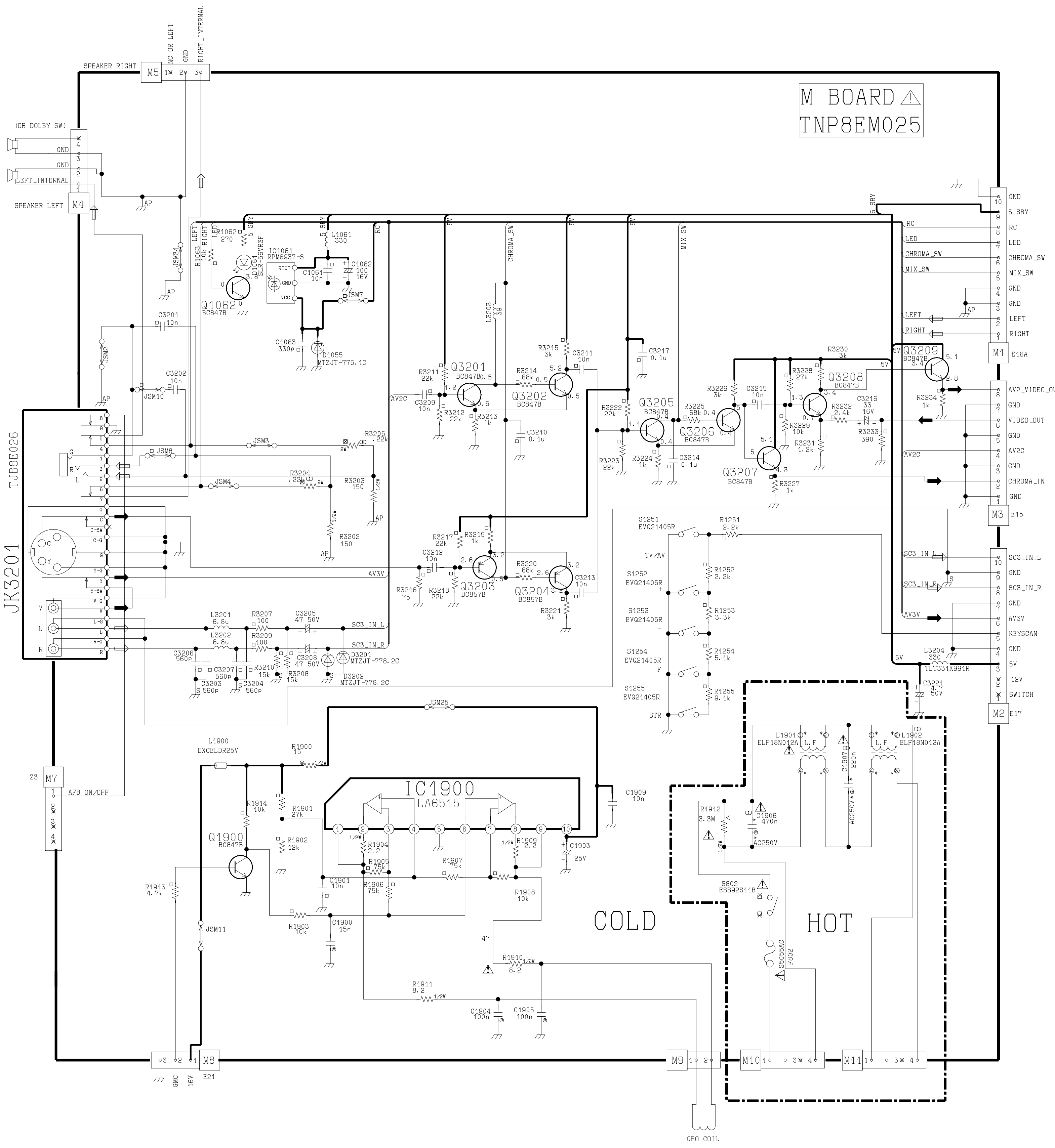
JK2301  
JP841101320  
AUDIO OUT

AV1  
JK3001

AV2

E3  
E4  
E5

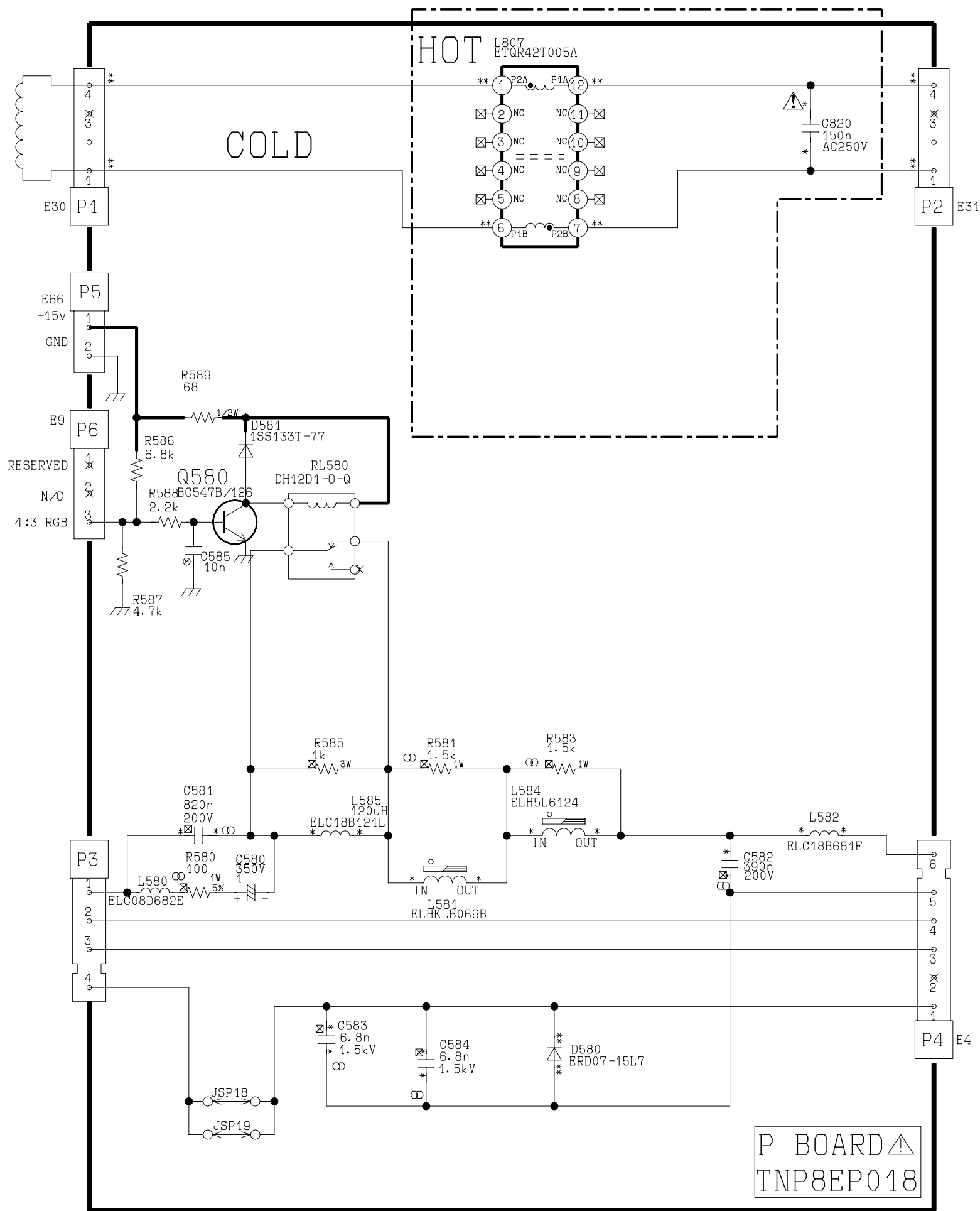
M BOARD  
TNP8EM025

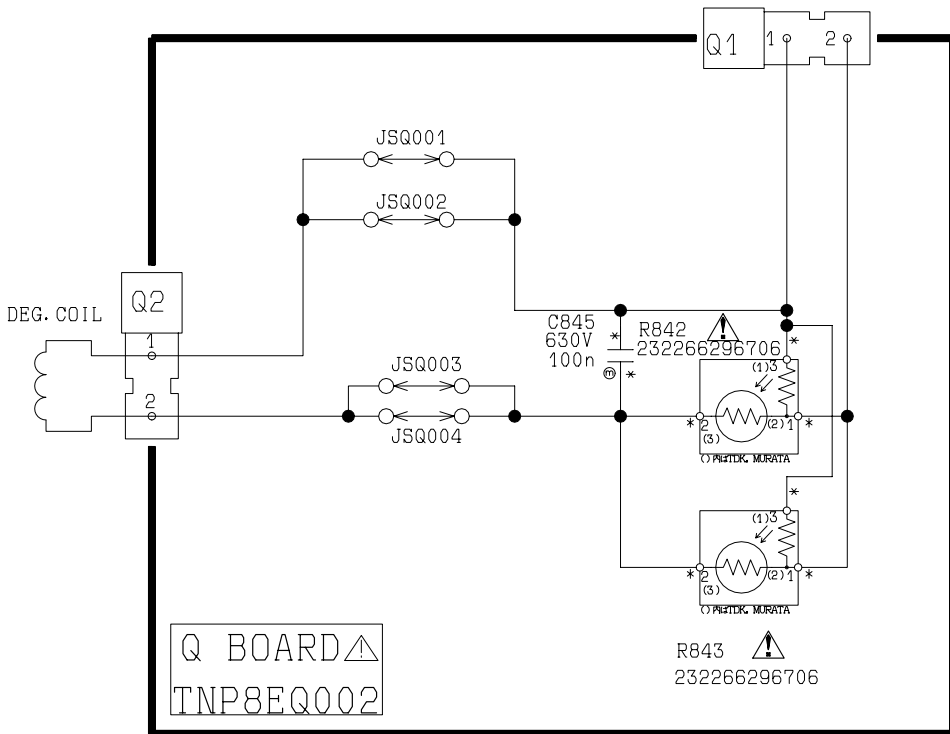


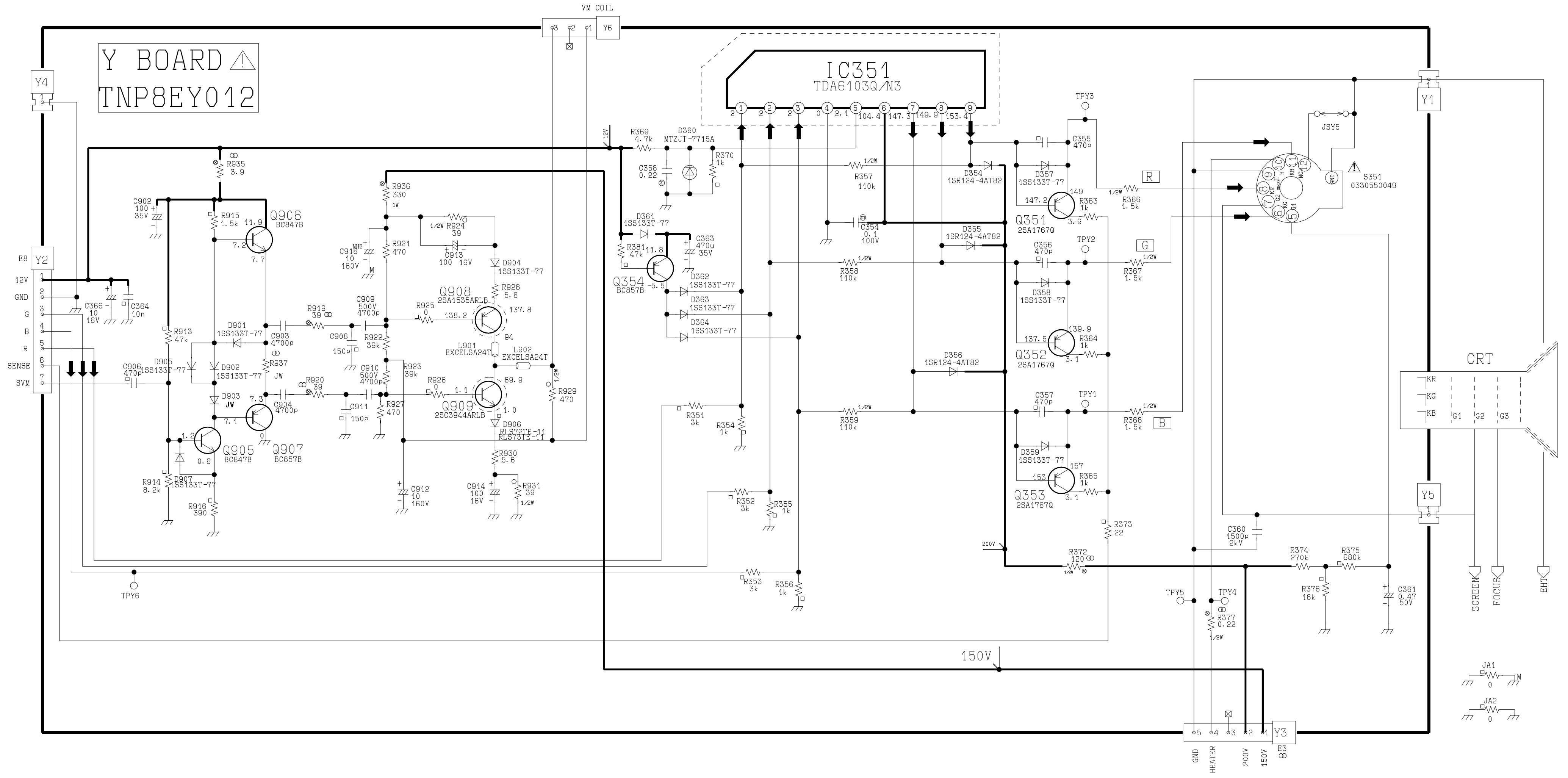
COLD

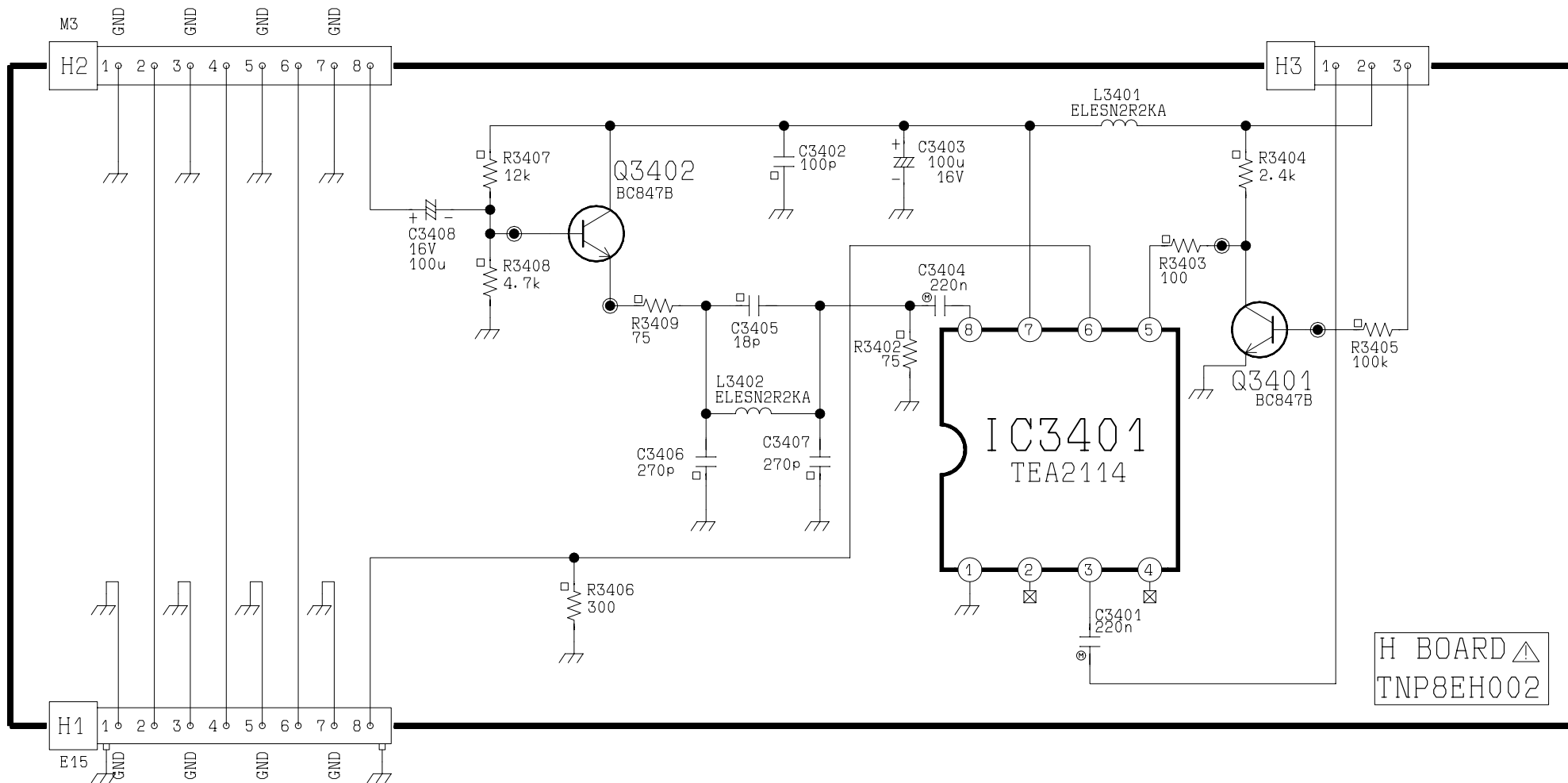
HOT

GEO COIL









# Z BOARD

## TNP8EZ003

